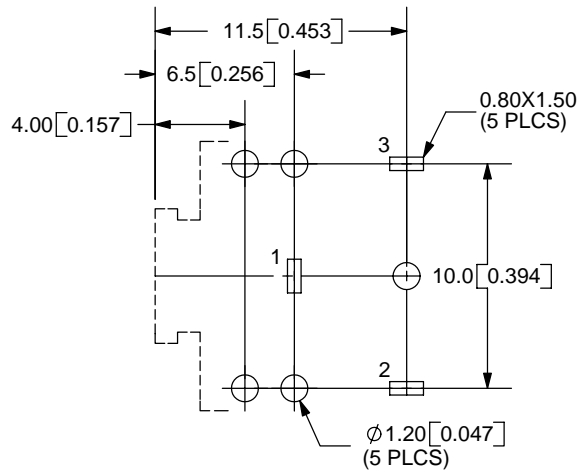
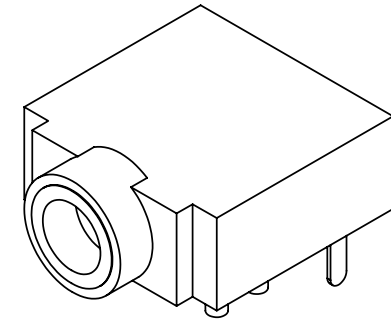
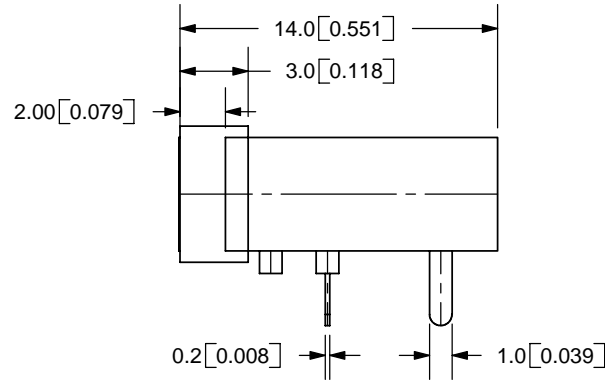
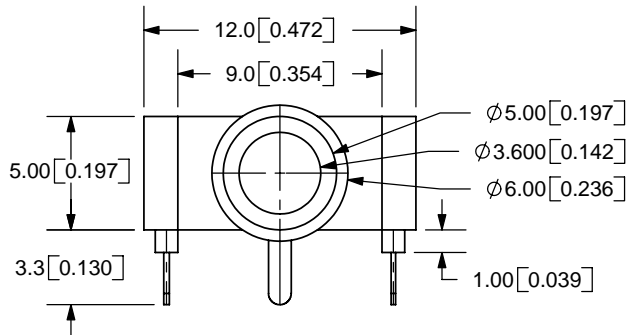
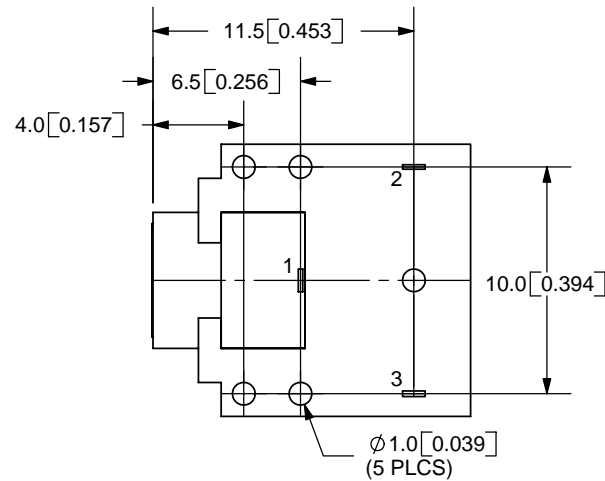


| | | |
|------|-------------|------------|
| REV. | DESCRIPTION | DATE |
| A | NEW DRAWING | 10/21/2005 |



PCB LAYOUT
TOP VIEW



TOLERANCE:
X.X ±0.2mm
X.XX ±0.1mm
X.XXX ±0.05mm



| | |
|-----------|------------|
| MODEL NO. | SJ1-3523NG |
| SCHMATIC | |

SPECIFICATIONS:
 RATING: 12V DC @ 1A
 CONTACT RESISTANCE: 30m OHMS MAX
 INSULATION RESISTANCE: 50M OHMS MIN: 500V DC
 VOLTAGE WITHSTAND: 500V AC R.M.S. FOR 1 MINUTE
 LIFE: 5,000 CYCLES

| | MATERIAL | PLATING |
|------------|--------------|---------|
| TERMINAL 1 | Copper Alloy | Tin |
| TERMINAL 2 | Copper Alloy | Tin |
| TERMINAL 3 | Copper Alloy | Tin |
| BUSHING | Brass | Nickel |
| HOUSING | PBT | |



9615 SW Allen Blvd., Ste. 103
 Beaverton, OR 97005
 Phone: 503-643-4899
 800-275-4899
 Fax: 503-372-1266
 Website: www.cui.com

| | | | |
|-----------|-------------------------|--------------|-------------|
| TITLE: | 3.5mm AUDIO JACK STEREO | REV: | A |
| PART NO. | SJ1-3523NG | UNITS: | MM [INCHES] |
| DRAWN BY: | ZRJ | APPROVED BY: | |
| | | SCALE: | 3:1 |

PC FILE NAME:
SJ1-3523NG

COPYRIGHT 2005 BY CUI INC.